

# Roller Shade Measuring Instructions

Use a steel measuring tape.

Measure to the nearest eighth of an inch - don't round your measurements.

On your notes, clearly indicate which measurement is the width and which is the height. It is very common to transpose measurements. **Always indicate the *WIDTH* measurement first, then the *HEIGHT* last. (W x H)**

**Remember** one very important thing when measuring for an inside mount - **Take the ACTUAL WINDOW OPENING SIZE** to give to us, our factory will take all the proper allowances for it to fit into that opening.

Before taking any measurements, step back from your window and decide if you want to mount the window treatment inside the window recess, or outside on the wall or molding. We usually recommend an inside mount when possible because it provides a cleaner look. However, an outside mount can make a window appear larger or hide an unattractive window. For an inside mount, the window opening must have enough unobstructed depth to allow mounting. When measuring for an outside mount, be sure to allow for the height of the product's headrail in your measurements.

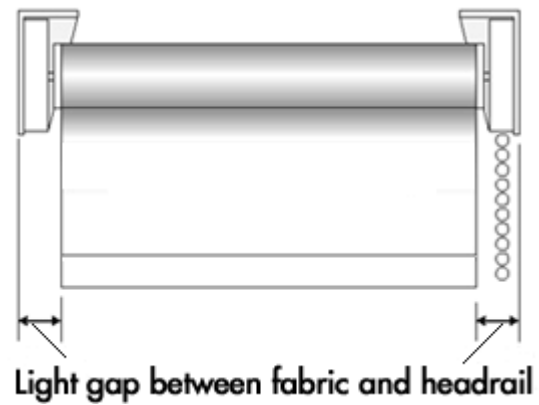
We will custom make your blinds to the sizes you write on the order. *If these sizes are incorrect it is impossible to change the blind, so take your time and double check your measurements.*

## Specific Measuring Instructions Below:

---

### About Roller Shades:

All roller shades have fairly big mounting brackets which necessarily take up space. This results in a slight "light gap" on the sides of the shade (the fabric width will be slightly narrower than the headrail width). Most customers are OK with this, but some want to block more light and have more privacy. If this is unacceptable to you (e.g. you want the shade to completely darken the room), consider an Outside Mount with extra width to accommodate for this...or consider other products such as blackout honeycomb shades or shutters.



### **For an Inside Mount:**

Measure the opening width at the top. Always measure to the nearest 1/8", and be sure to use a steel tape measure.

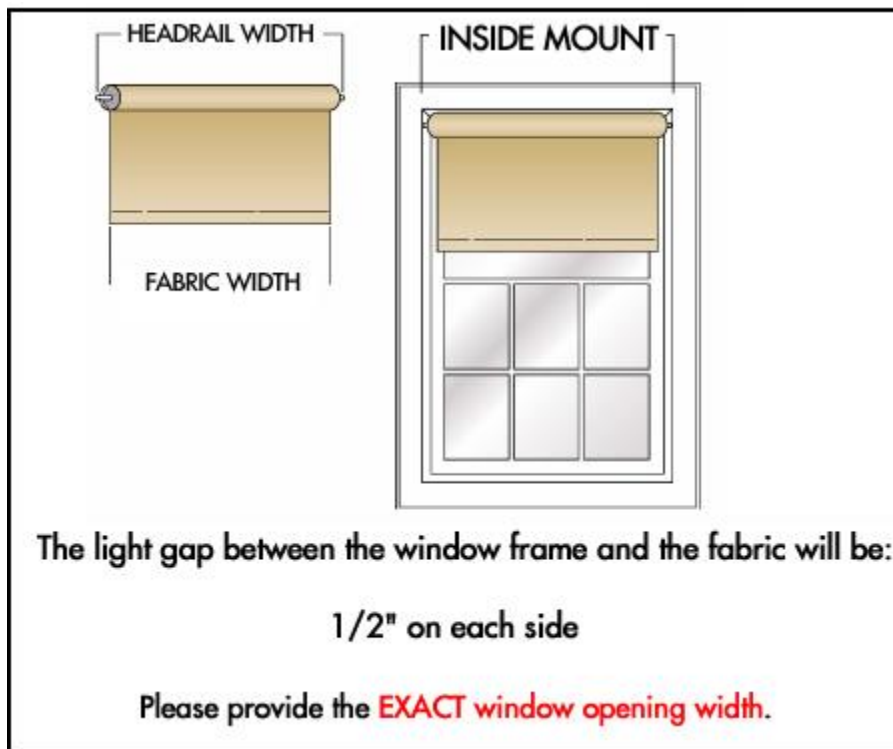
Measure the height left, right and center, recording the tallest height.

Please note: due to the large headrail size on roller shades, the fabric width will be slightly narrower than the headrail width. There will be roughly a 1/2" gap on each side of your shade between the fabric and the window frame. **Please provide the exact window opening width -- make no deductions.**

For a flush inside mount (the blind completely recessed so that the top of the blind does not project out of the opening) check that you have enough depth. Depth needed:

For a standard clutch control: **2 7/8"**

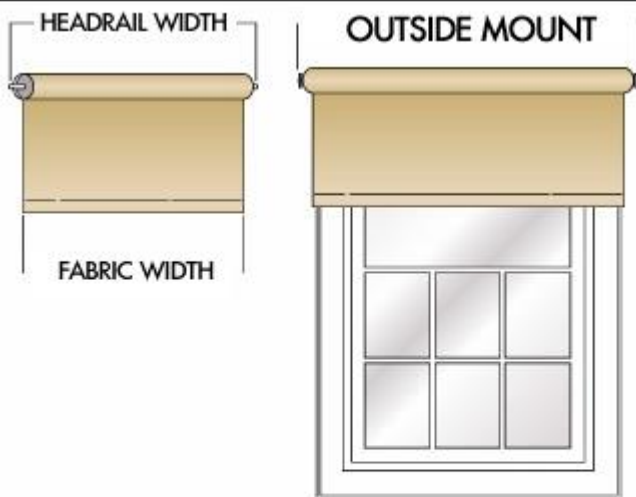
For a cassette control: **3 3/4"**



**For an Outside Mount:**

Measure the opening width. If there is room, add at least 3" to the window width for minimum light gap coverage and maximum privacy.

Please note: due to the large headrail size on roller shades, the fabric width will be slightly narrower than the headrail width. There will be roughly a 1/2" gap on each side of your shade between the fabric and the window frame. After determining the measurements that you want the blind to be (remember, add an additional 3" to the window width if there is room), hold the tape measure up to your window and visualize what the overall size will look like on that window before proceeding.



The gap between the headrail with and the fabric width will be:

1/2" on each side

General Rule: If there is room, **ADD AT LEAST 3"** to the window width for light gap coverage and maximum privacy